

Grey Birch MFG

La Chassis 10-22 Manual



GREY BIRCH MFG INC. TAMPA, FLORIDA, USA.
Available Worldwide.

If you were traversing this untamed wilderness tomorrow



you'd carry a Grey Birch.



When a man's survival depends on his tools, chances are he's carrying a Grey Birch. It's light, tough, a working man's rifle. The chassis, receiver and barrel are carved out of steel, aluminum, and carbon. Some of the strongest materials known to mankind. Every rifle is engineered to the highest quality and individually tested to ensure that accuracy, consistency, and longevity are the results.



GREY BIRCH MFG INC. TAMPA, FLORIDA, USA.
Available Worldwide.

LA CHASSIS 10-22

Configurations



GREY BIRCH HEADQUARTERS



All Grey Birch products are made in Tampa, Florida with an obsessive focus on design and functionality.

When you purchase a Grey Birch product, not only are you supporting a small business directly, you are supporting many small businesses indirectly.

By manufacturing locally, it allows us to be as close to the process as possible to ensure the highest level of quality is achieved.

We are confident and proud to be putting out world class products that you can enjoy for a lifetime...

— **You never really own a Grey Birch, you simply take care of it for the next generation** —

Welcome to the Grey Birch family.



FIREARM SAFETY

We take firearm safety dead serious. Literally.

- Assume every firearm is loaded.
- Control the muzzle direction at all times.
- Always point your firearm in a safe direction.

Remove the magazine from the firearm.

- Observe the chamber to ensure it is empty.
- Open the bolt and remove from the action if possible.
- Once your firearm has been proven safe you can begin modifying or cleaning.

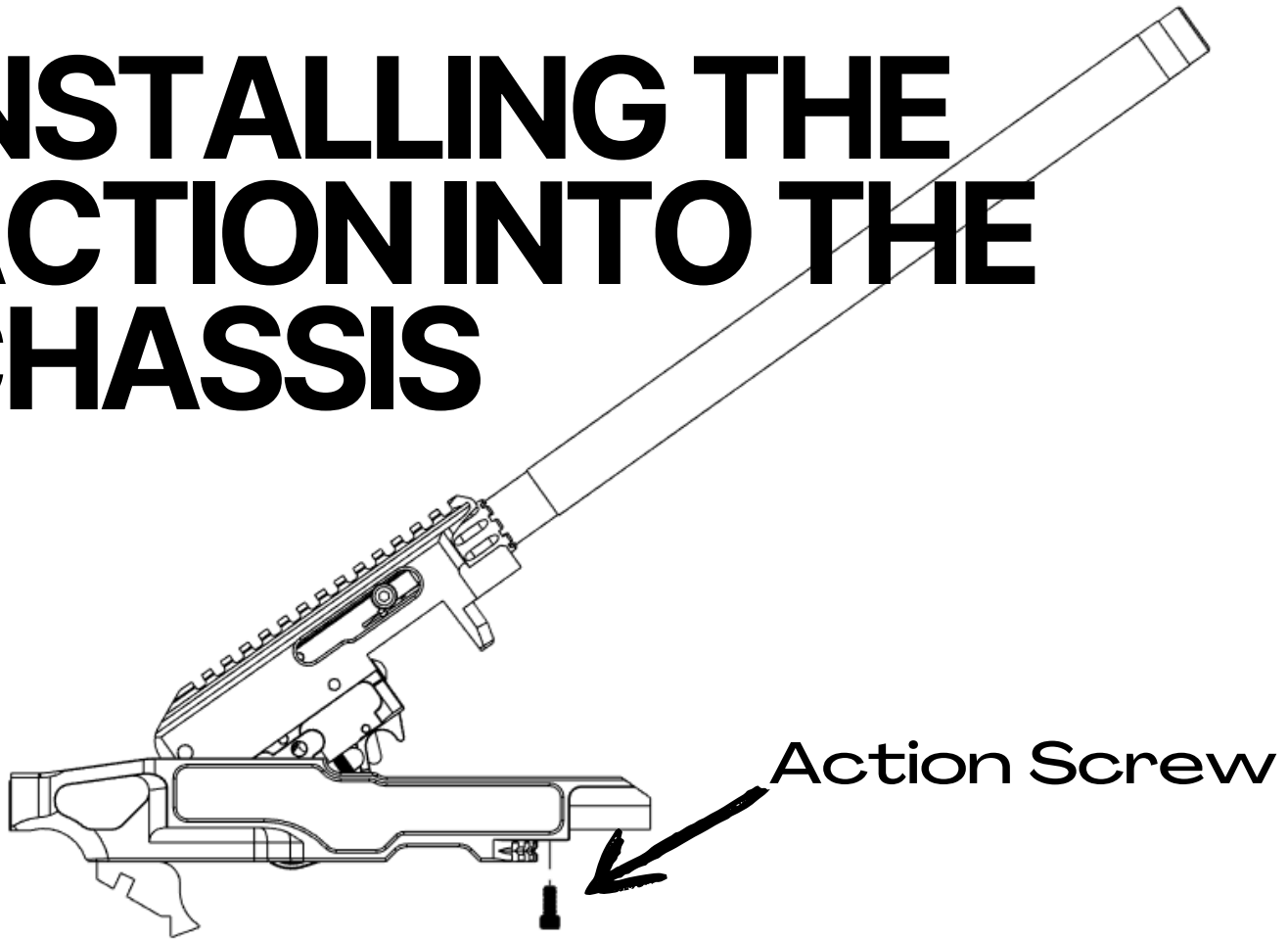
Please ensure approved eye and ear protection is worn at all times.

*Be aware of the laws in your country and region concerning overall rifle length and folding stocks. It is up to you — the end user — to ensure you maintain compliance.

Grey Birch ships all stocks in the fixed position.



INSTALLING THE ACTION INTO THE CHASSIS

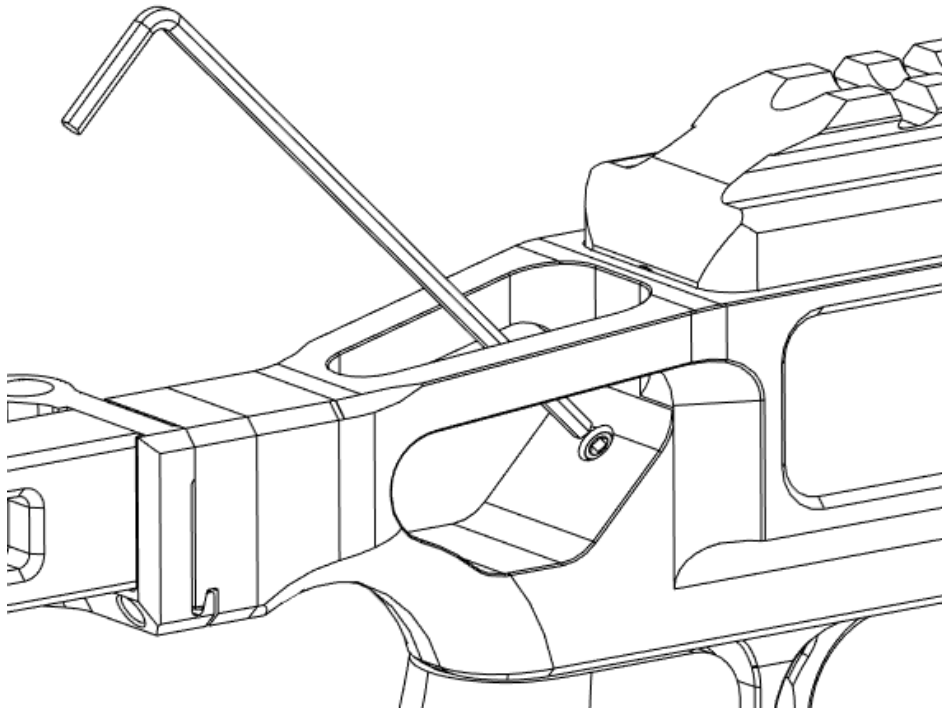


Steps to follow

- Place the rear of the receiver into the chassis, sliding the trigger in first.
- Ensure the safety button is centered in the trigger housing as it may hang up the trigger group seating in the chassis.
- You may need to slightly wiggle it while sliding it on.
- Once the trigger is inserted, gently drop the barrel down into the chassis.
- Once the action is firmly seated, tighten the action screw.
- Using a 5/32" hex, tighten the action screw to 30 in/lb.



INSTALLING THE REAR TENSION SCREW



Tension Screw



Steps to follow

- With the barreled action inside the chassis and the action screw installed, hand tighten the rear set screw using a 3/32" hex at the rear of the chassis to 15 in / lb. Do not over tighten as it can damage your trigger group.
- These screws act as a secondary tension point for securing the receiver snugly in the chassis.



INSTALLING OR REMOVING THE FOREND

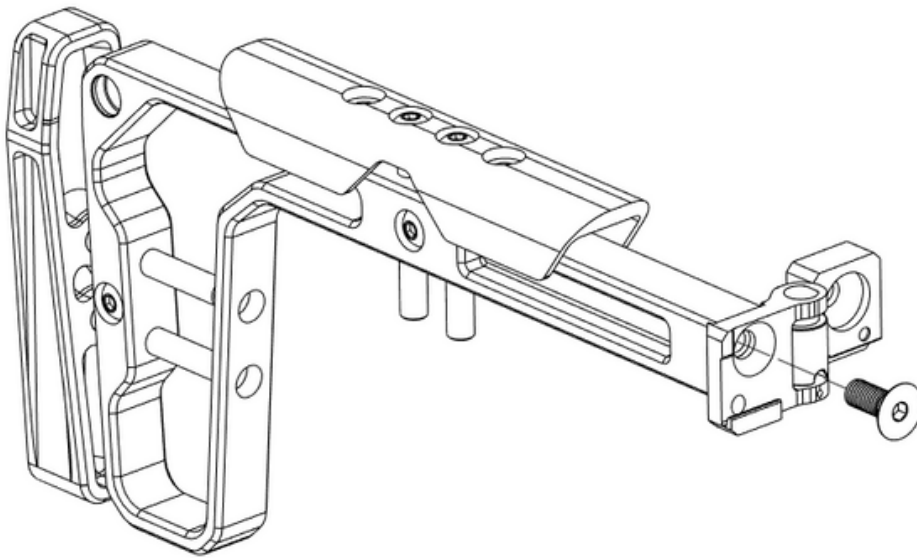


Steps to follow

- Place the forend onto the chassis
- When the forend is in place, install the screws using a 5/32" hex key and tighten to 30 in/lbs.
- Do not over tighten as it may damage the threads of the forend.
- To remove the forend, follow these steps in reverse.



INSTALLING OR REMOVING THE STOCK



Folding
adapter
assembly
screw

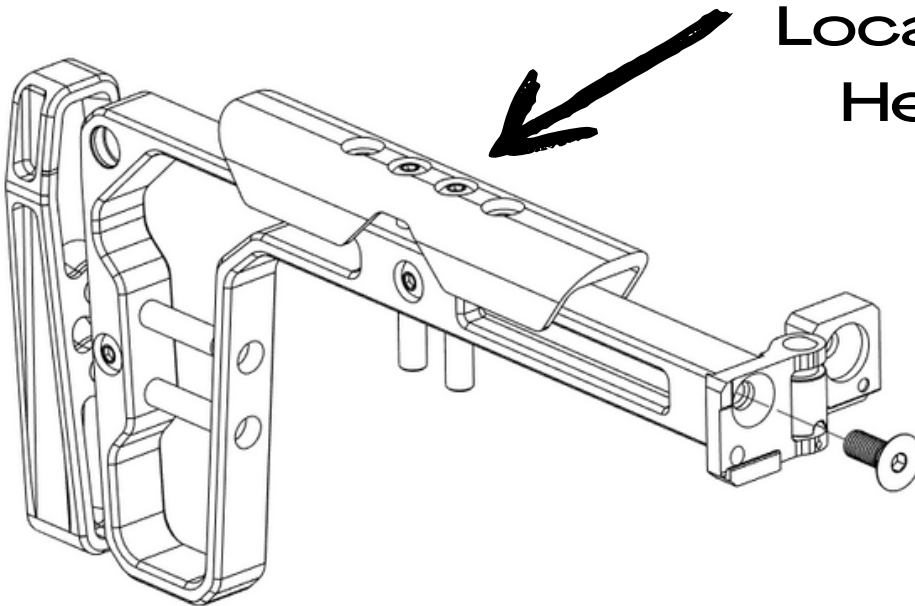
Steps to follow

- Place folding adapter assembly with the corresponding outline (square) on the front of the stock and secure with 30 in/lb
- Do the same on the back of the chassis and secure with 30 in/lb



ADJUSTING THE CHEEK WELD LOCATION

Screws
Located
Here

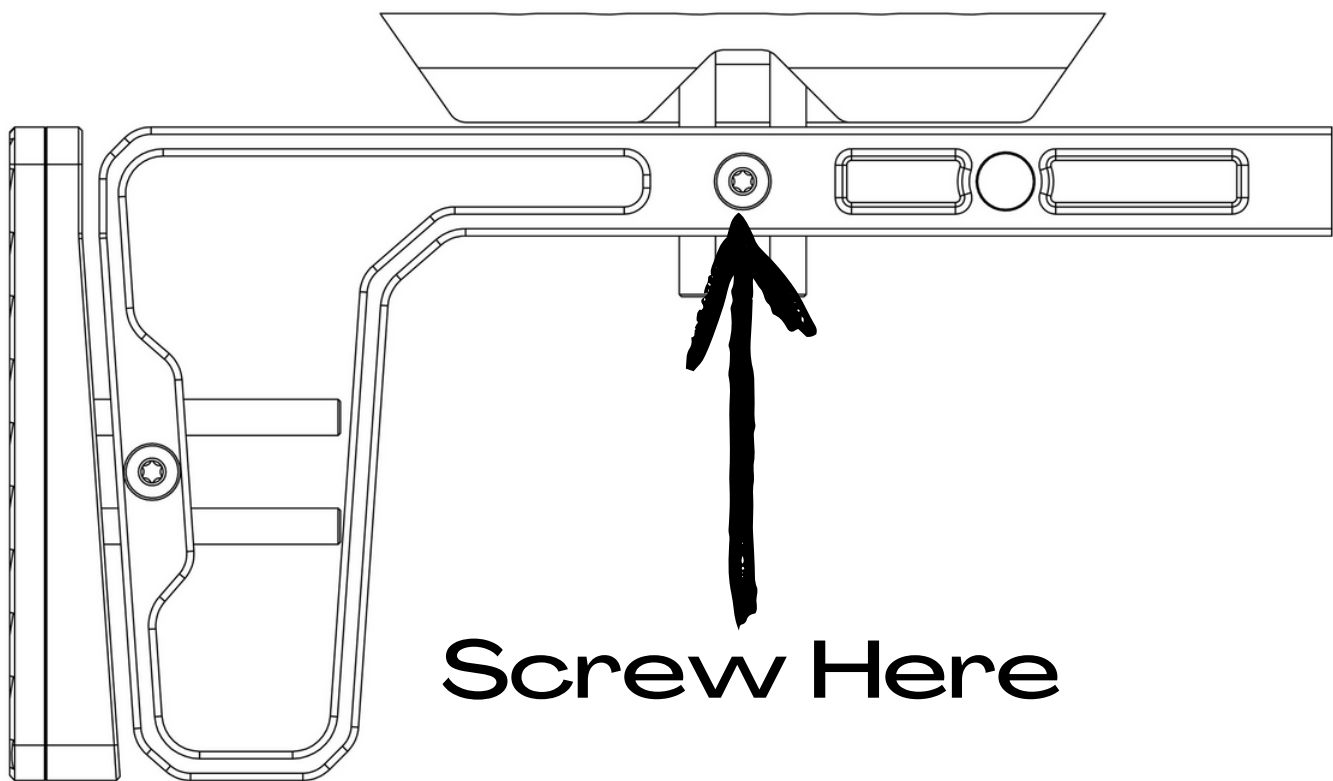


Steps to follow

- Using a 1/8" hex key, remove the two screws on the top of the cheek weld. Don't lose those pillars.
- With the screws removed, shift the position of the cheek weld forward or backwards as desired.
- With the cheek weld in position, tighten the two screws through the cheek weld into the pillars behind it.
- Hand tighten only.



ADJUSTING THE CHEEK WELD HEIGHT

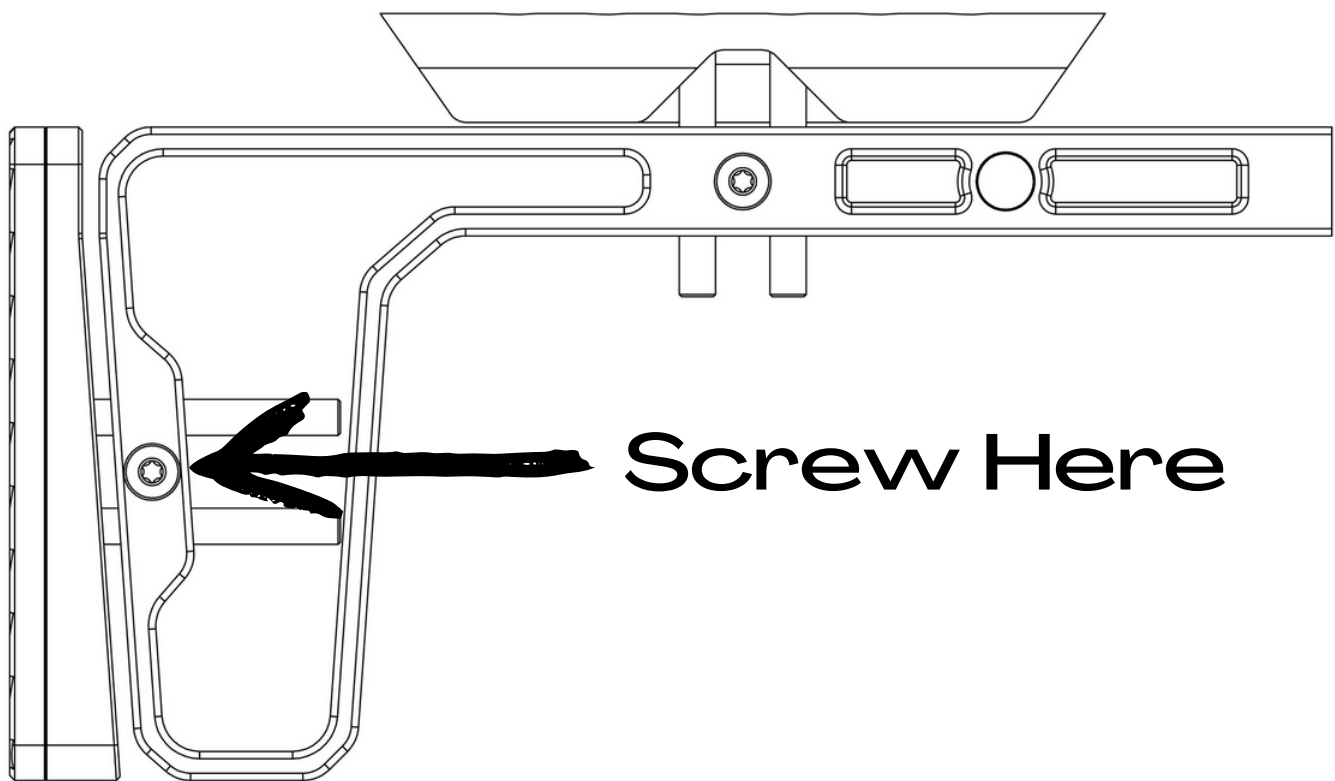


Steps to follow

- Using a 1/8" hex key, loosen off the screw to allow vertical movement of the check weld.
- When the desired height is achieved, tighten the screw to hand tight.
- Do not over tighten as it can damage the threads on the backer plate.
- Tighten to max 10 in/lbs.



ADJUSTING THE LENGTH OF PULL

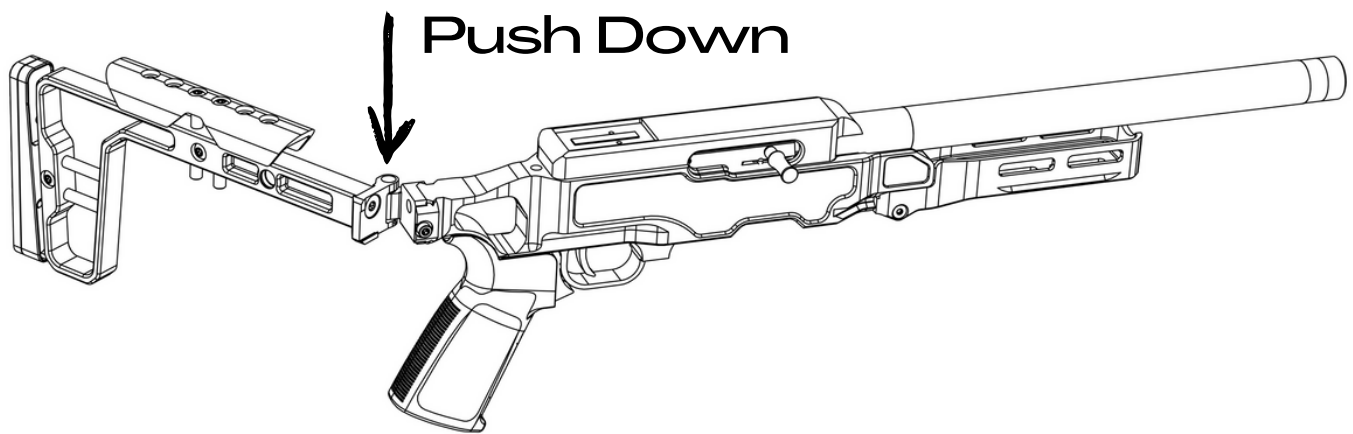


Steps to follow

- Using a 1/8" hex key, loosen off the screw to allow horizontal movement of the shoulder plate.
- When the desired length of pull is achieved, tighten the screw to hand tight.
- Do not over tighten as it can damage the threads on the backer plate.
- Tighten to 10 in/lbs.



OPERATING THE FOLDING STOCK



Steps to follow

- Place your dominant hand on the pistol grip. Support the rifle with opposite hand. Keep pinky, ring, and middle finger on the pistol grip swinging your thumb around to the top end of the knuckle hinge (pivot pin - silver) and press down.
- The stock will swing towards the rifle into the folded position.
- To unfold the stock, swing the stock away from the rifle and it will lock into position.

A stylized world map in shades of purple and teal, centered on the Atlantic Ocean, serving as a background for the main text.

Available WorldWide



GREY BIRCH MFG INC. TAMPA, FLORIDA, USA.
Available Worldwide.